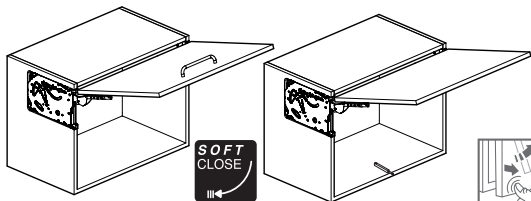




Free Slim flap 1.12 Free Slim flap 1.10 push

372.92.xxx



<https://www.hafele.com/de/freeslim>

116533

732.23.047

P2 (EN 312)	
15-19 mm	660 kg/m ³
>19 mm	620 kg/m ³

en: The furniture manufacturer is responsible for the stability of the furniture construction.

fr: Le fabricant de meubles est responsable de la stabilité de la construction du meuble.

de: Für die Stabilität der Möbelkonstruktion ist der Möbelhersteller verantwortlich.

it: Il produttore di mobili è responsabile per la stabilità della costruzione del mobile.

es: El fabricante de muebles es responsable para la estabilidad de la construcción del mueble.

A 2x

E 2x

F 2x

M 8x
ø 4 x 15

C 2x

D 2x

B 4x

N

I

J

K

G 2x

H 4x

O 8x
ø 3,5 x 9,5

push

L 2x

+

+

1

2

3

≥19

372.92.XXX

372.92.XXX

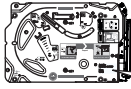
ø 3,5 x 9,5

[WS405]

HDE 02.10.2025



i

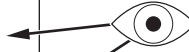


Article No: 372.92.xxx

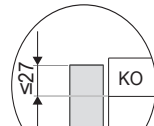
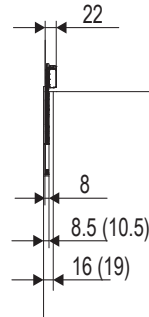
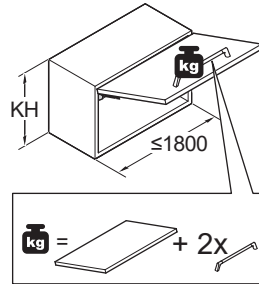
Check Date: 02/09/25

Model: flap soft-close / flap push

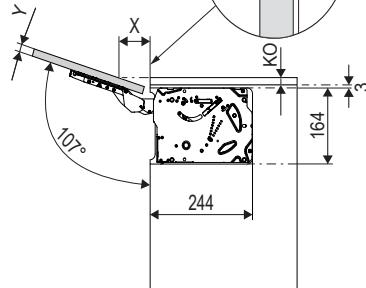
Spring: 2x3 mm



PF* = KH x	Free Slim flap 1.12	Free Slim flap 1.10 push	
	372.92.xxx	372.92.xxx	
* Power Factor	PF 480 - 4800	PF 480 - 4080	
KH			
225	2.1 - 21.3	2.1 - 18.1	Type 3 - strong (17.5 - 36.8 N)
250	1.9 - 19.2	1.9 - 16.3	
275	1.7 - 17.5	1.7 - 14.8	
300	1.6 - 16.0	1.6 - 13.6	
325	1.5 - 14.8	1.5 - 12.6	
350	1.4 - 13.7	1.4 - 11.7	
375	1.3 - 12.8	1.3 - 10.9	
400	1.2 - 12.0	1.2 - 10.2	
425	1.1 - 11.3	1.1 - 9.6	
450	1.1 - 10.7	1.1 - 9.1	
475	1.0 - 10.1	1.0 - 8.6	
500	1.0 - 9.6	1.0 - 8.2	
525	0.9 - 9.1	0.9 - 7.8	
550	0.9 - 8.7	0.9 - 7.4	
575	0.8 - 8.3	0.8 - 7.1	
600	0.8 - 8.0	0.8 - 6.8	
625	0.8 - 7.7	0.8 - 6.5	
650	0.7 - 7.4	0.7 - 6.3	



KO	Y	X
16 (19)	16	61 (71)
	18	54 (64)
	19	51 (61)
	22	41 (51)
	24	34 (44)
	26	27 (37)
	28	20 (30)



116533

732.23.047

[WS405]

HDE 02.10.2025

1



ø 5 mm



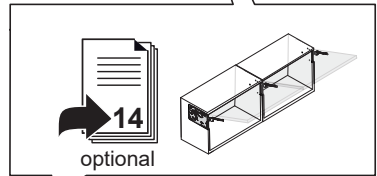
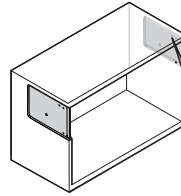
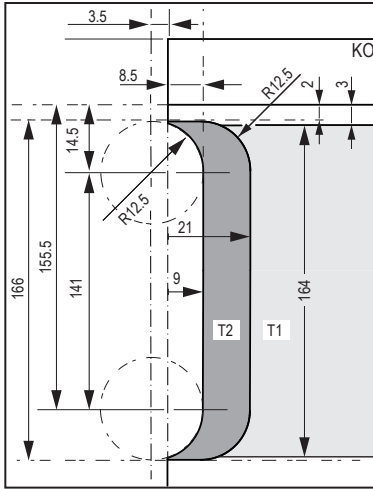
ø 10 mm



„mm“

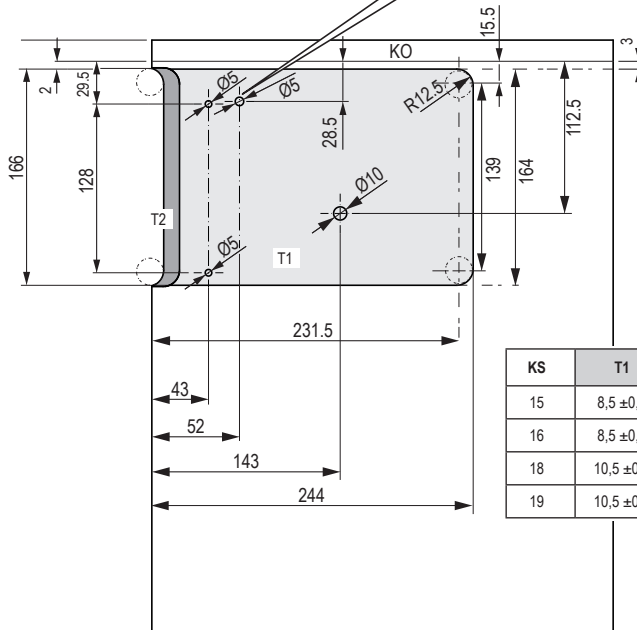
116533

732.23.047

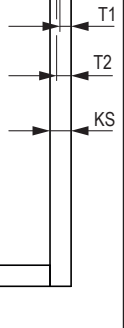


[WS405]

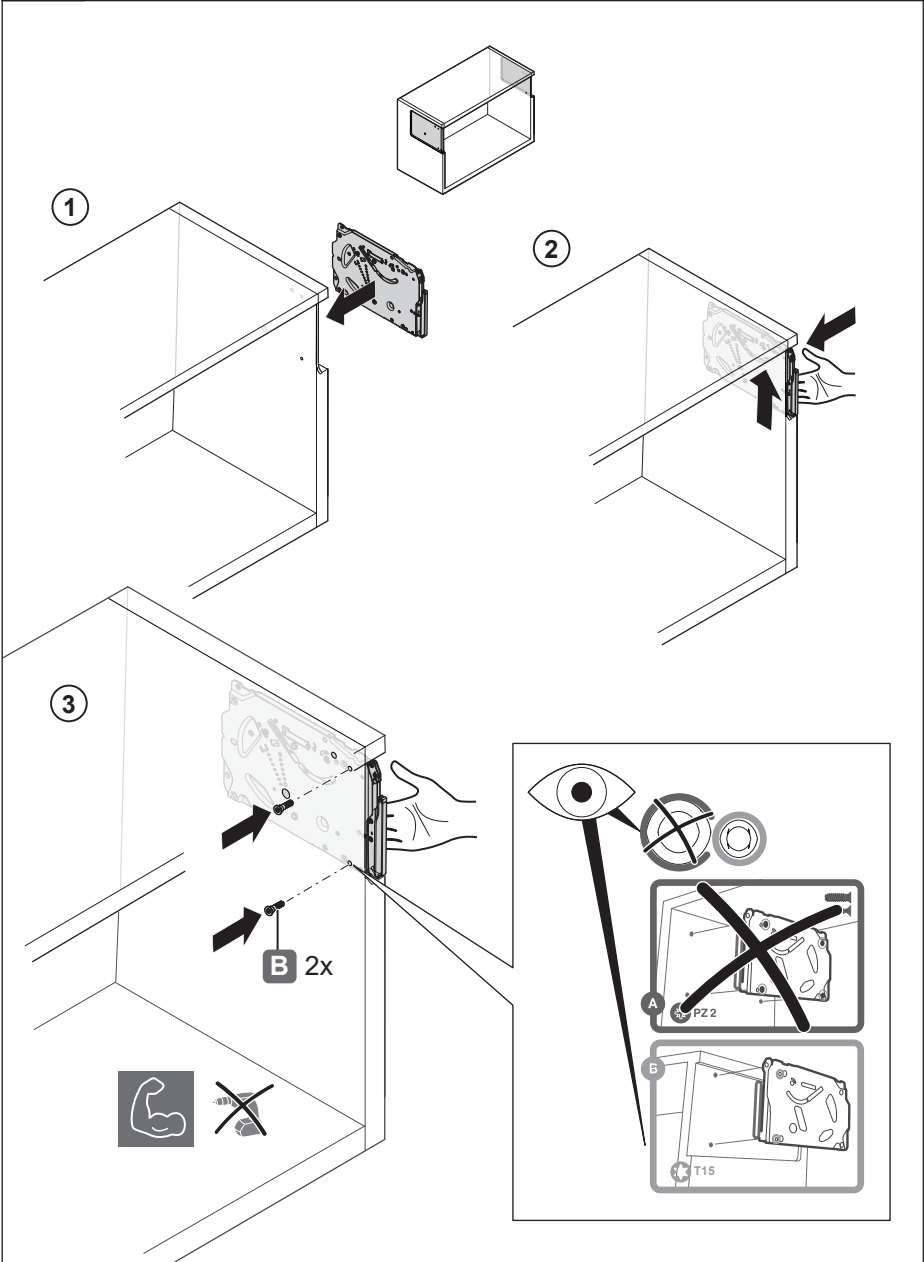
HDE 02.10.2025



KS	T1	T2
15	8,5 ±0,5	11 ±0,5
16	8,5 ±0,5	11 ±0,5
18	10,5 ±0,5	13 ±0,5
19	10,5 ±0,5	13 ±0,5



2



116533

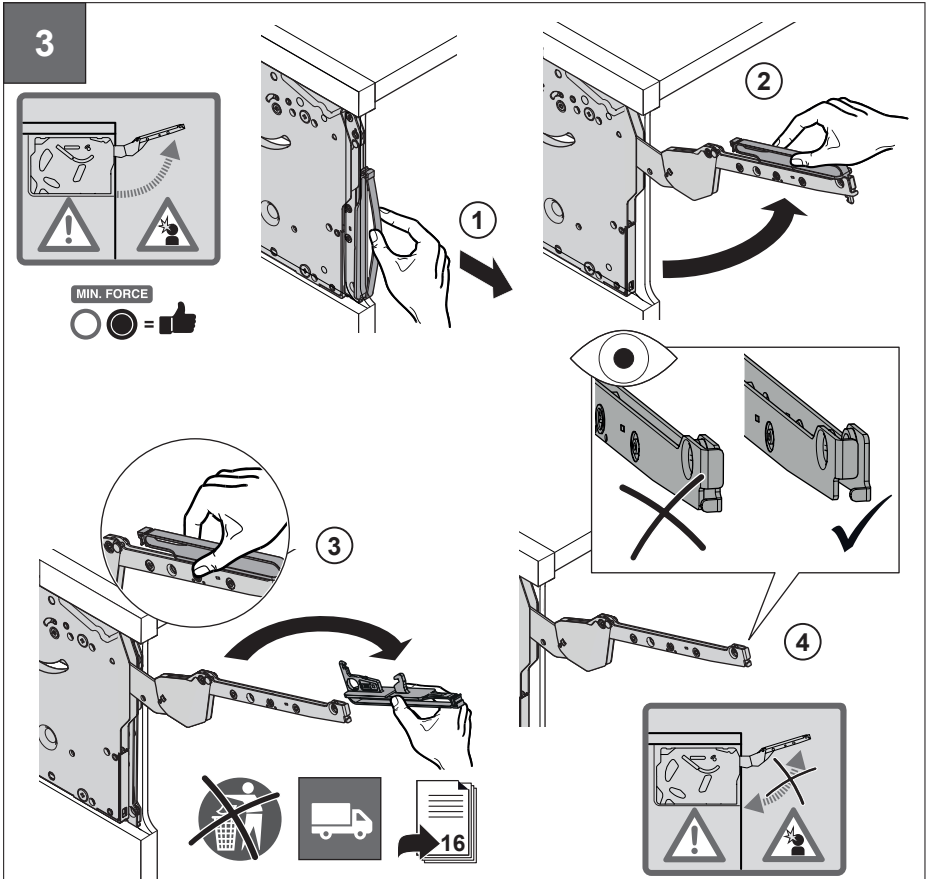
732.23.047

[WS405]

HDE 02.10.2025

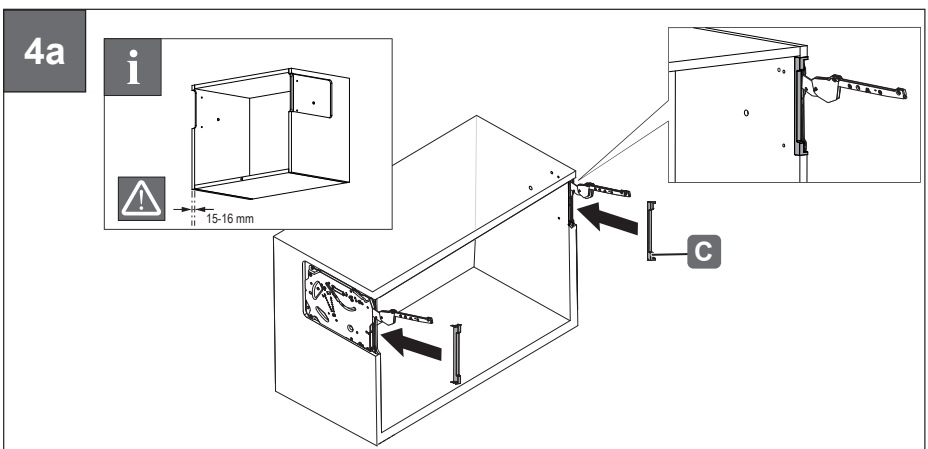
116533

732.23.047

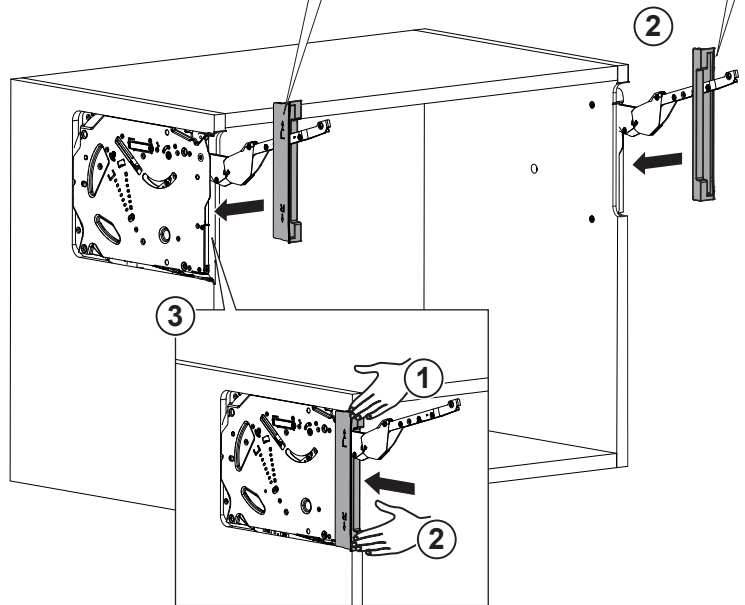
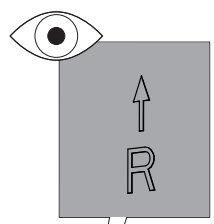
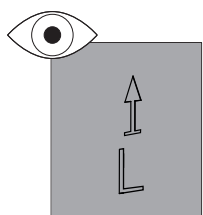
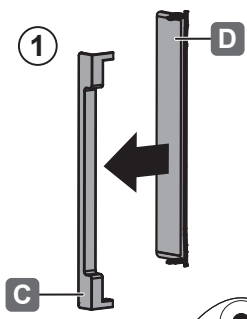
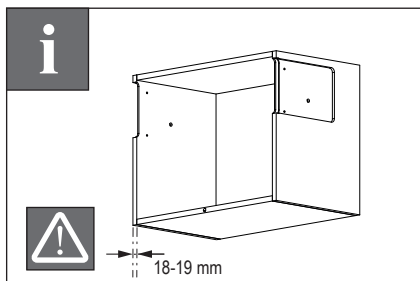


[WS405]

HDE 02.10.2025



4b



116533

732.23.047

[WS405]

HDE 02.10.2025

5



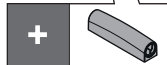
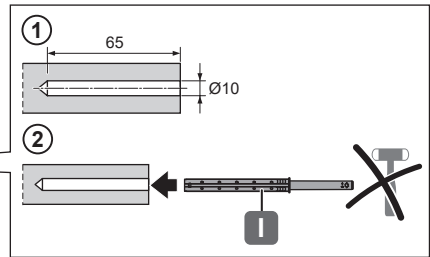
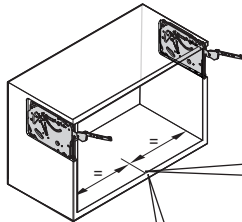
Ø 10 mm



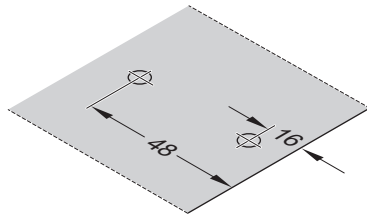
PZ 2



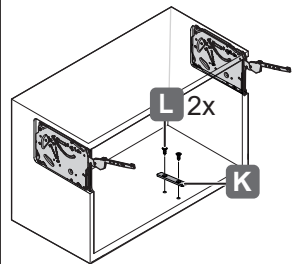
push



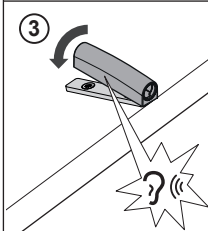
①



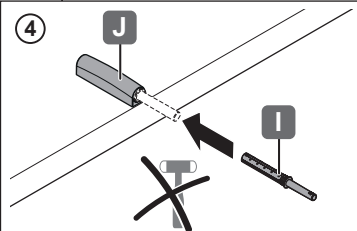
②



③



④



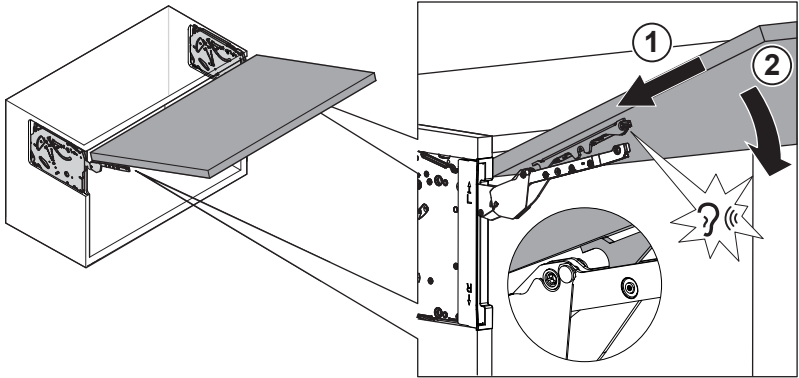
116533

732.23.047

[WS405]

HDE 02.10.2025

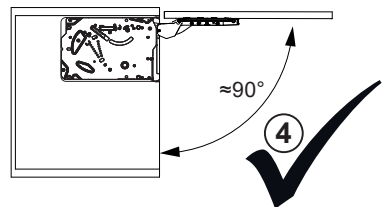
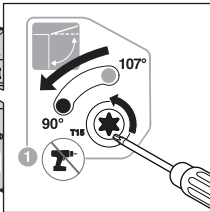
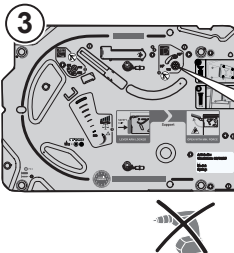
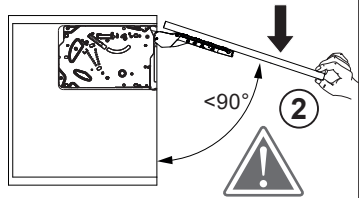
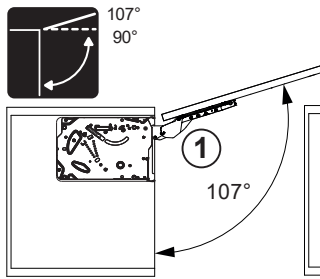
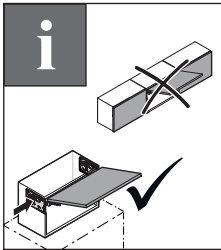
8



116533



732.23.047

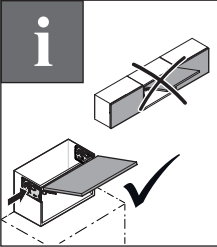
9

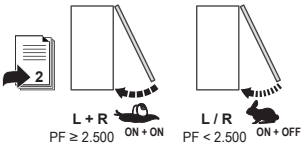


[WS405]

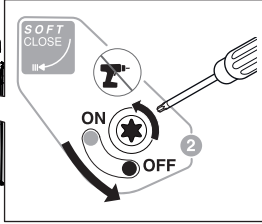
HDE 02.10.2025

10  T15 


i 

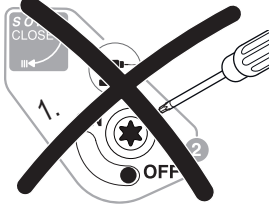


L + R PF ≥ 2.500 ON + ON L / R PF < 2.500 ON + OFF





SOFT CLOSE

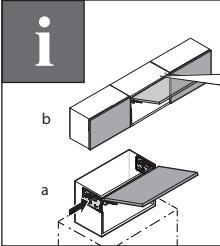
i  **push**

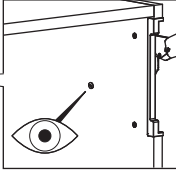


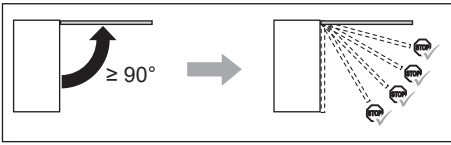
116533

732.23.047


11  PZ2 

i 

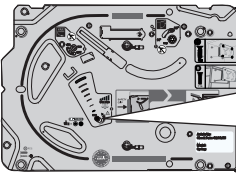




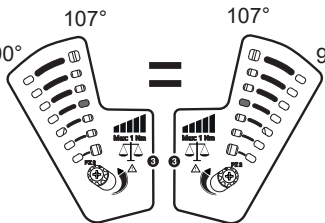
≥ 90°



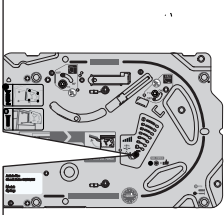
90°




107°





107°




90°







max. 1 Nm



[WS405]

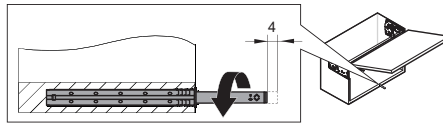
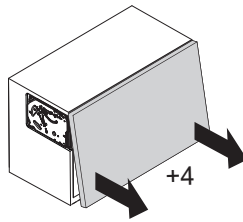
HDE 02.10.2025



push

116533

732.23.047



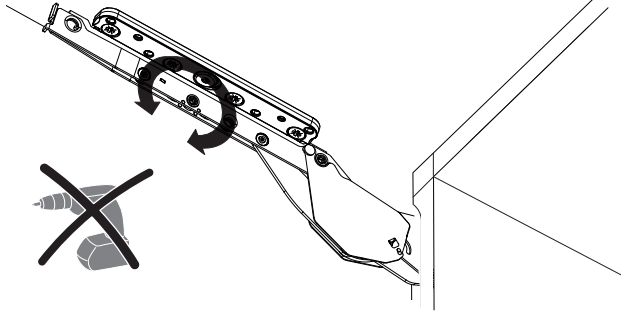
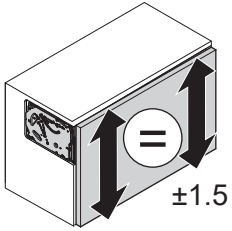
[WS405]

HDE 02.10.2025

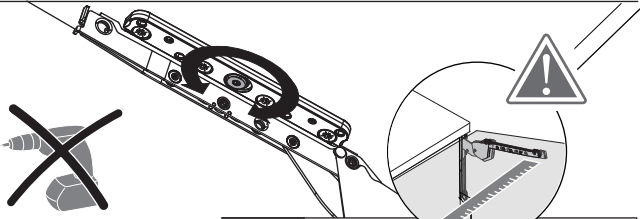
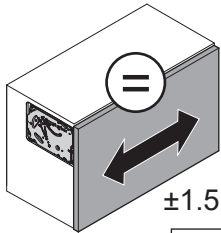
13



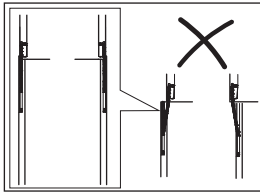
T15



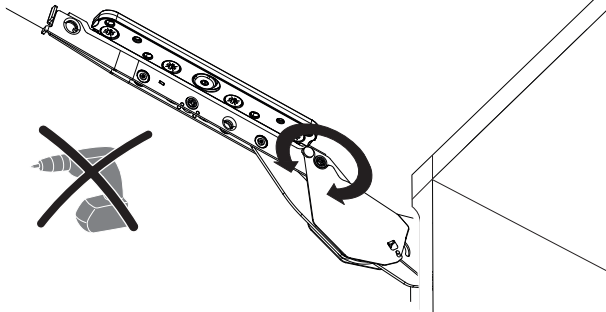
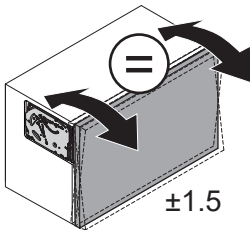
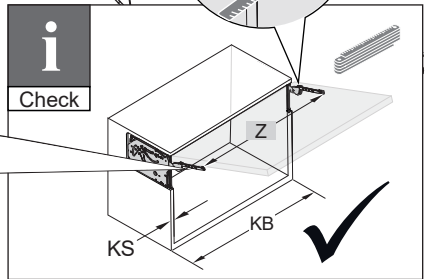
116533



732.23.047



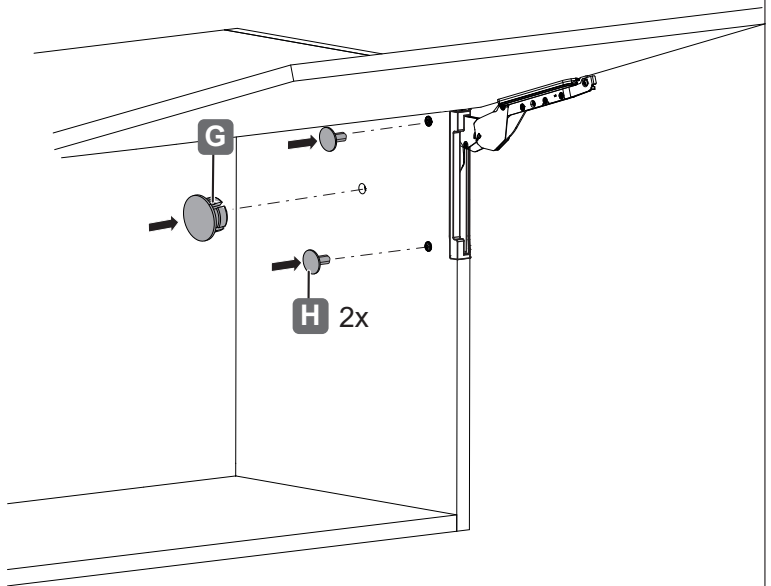
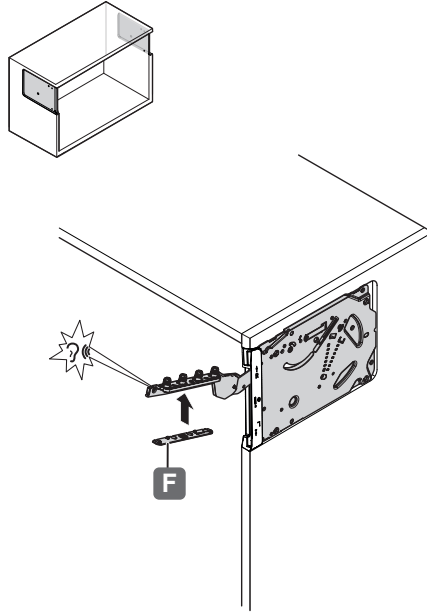
KS	Z
15-16	KB - 13.5
18-19	KB - 17.5



[WS405]

HDE 02.10.2025

14



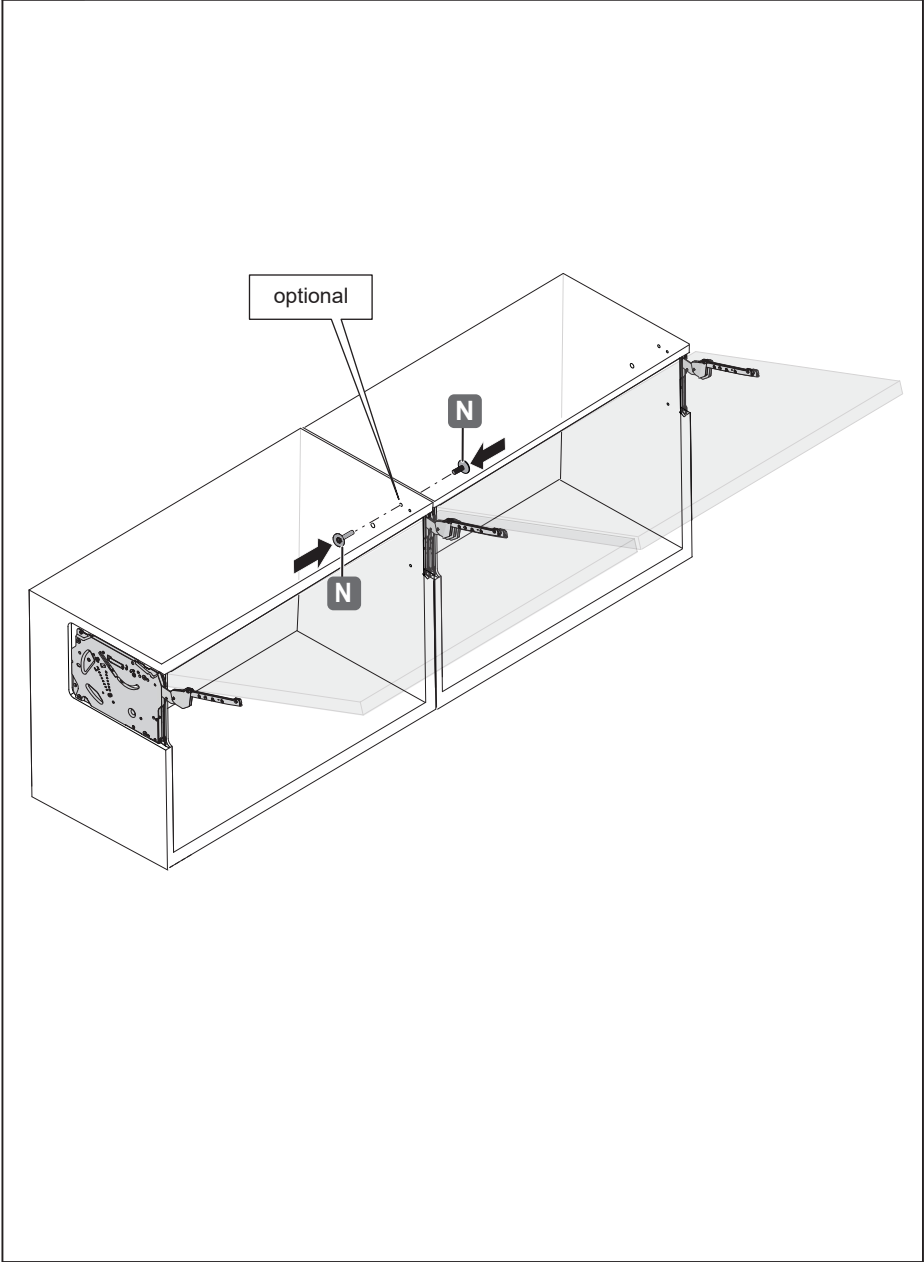
116533

732.23.047

[WS405]

HDE 02.10.2025

15



116533

732.23.047

[WS405]

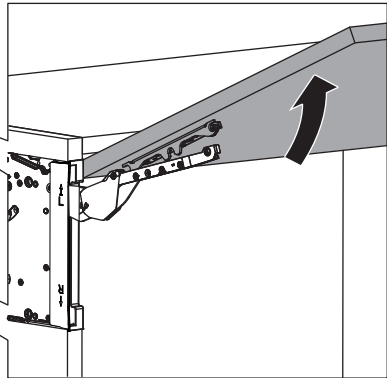
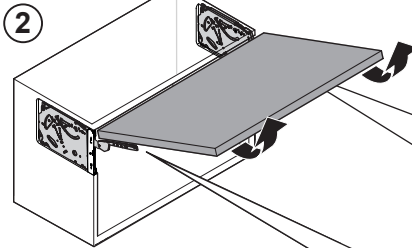
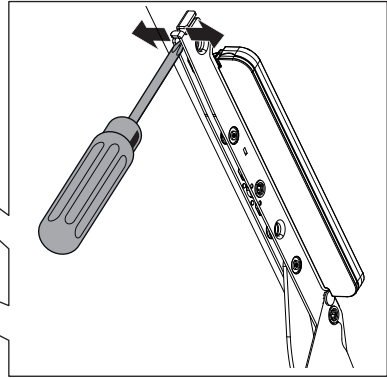
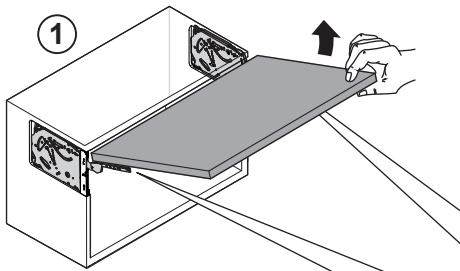
HDE 02.10.2025



PZ 2

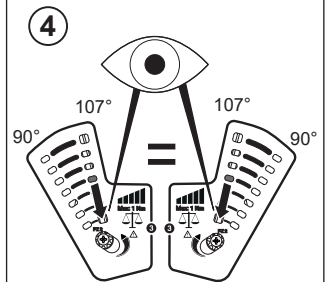
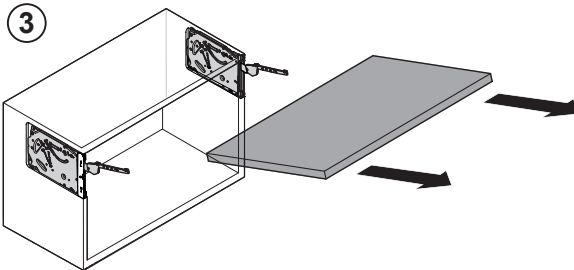
116533

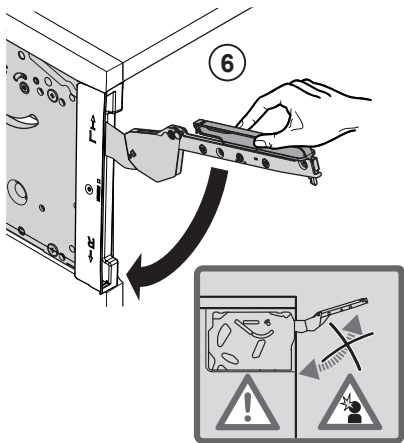
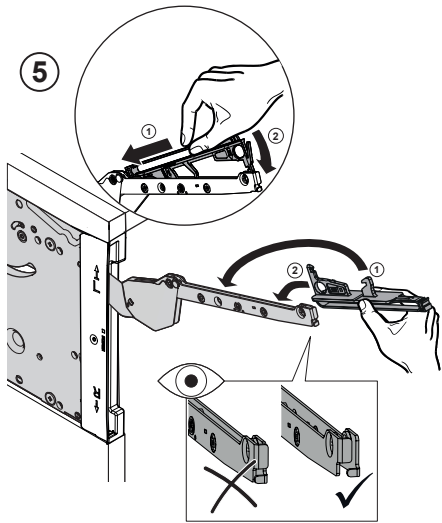
732.23.047



[WS405]

HDE 02.10.2025





116533

732.23.047

[WS405]

HDE 02.10.2025