
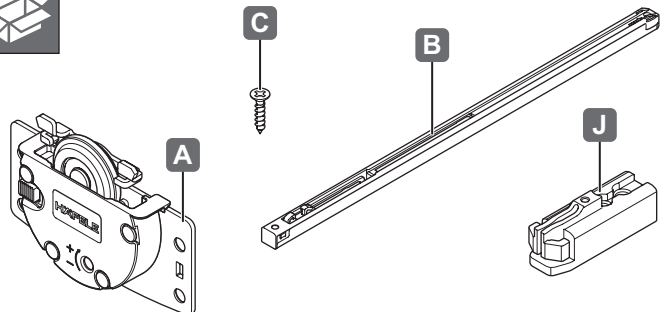







## Slido F-Line18 50A


401.30.018	401.30.016
401.30.017	401.30.020
401.30.019	401.30.021




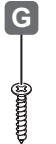




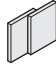

  


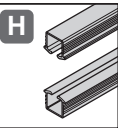
  
**D**  
 SW 4

  
**E**  
 SW 2,5

  
**F**

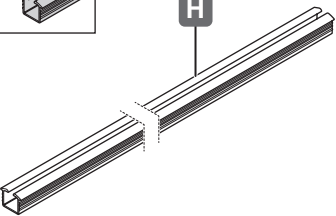
  
**G**

		A	B	C	D	E	F	G	J
	401.30.018	4x	-	16x	1x	-	4x	4x	2x
	401.30.017	4x	2x	16x	1x	1x	4x	4x	-
	401.30.019	8x	-	32x	1x	-	8x	8x	4x
	401.30.016	8x	4x	32x	1x	1x	8x	8x	-

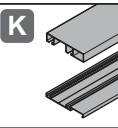


**H**

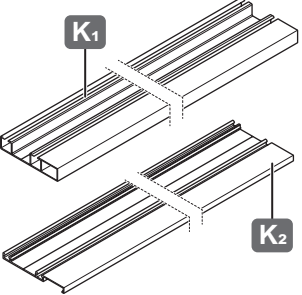
401.30.609  
401.30.610



**H**



**K**



**K<sub>1</sub>**

**K<sub>2</sub>**

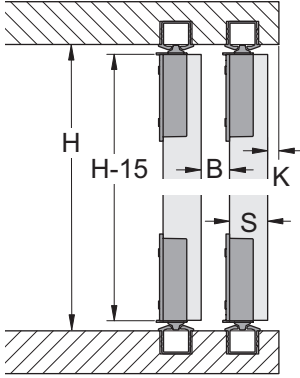
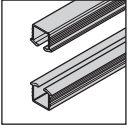
401.30.611  
401.30.613  
401.30.614  
401.30.615

732.24.048

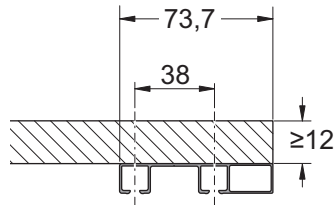
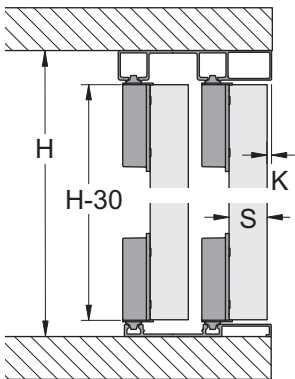
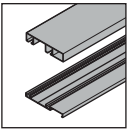
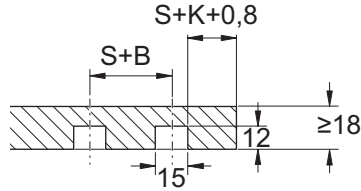
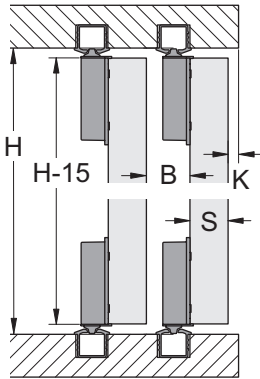
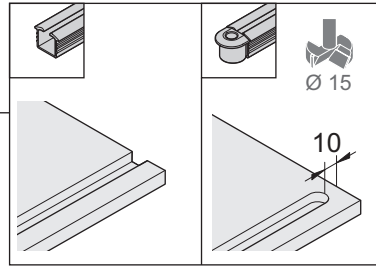
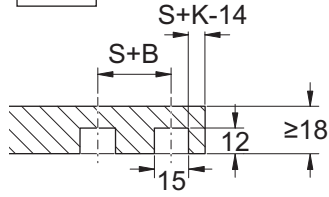
[WS272]

HDE 12.05.2025

i



$B \geq 6$



$S \leq 20$

$K = 20 - S$

732.24.048

[WS272]

HDE 12.05.2025

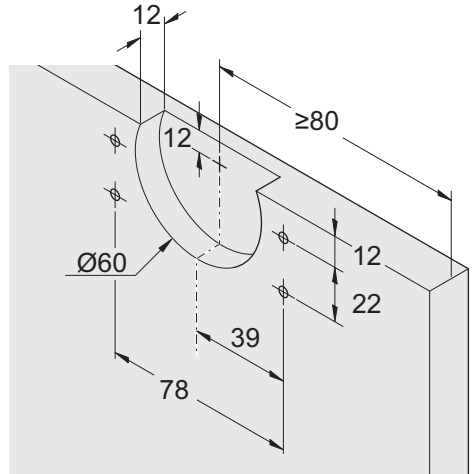
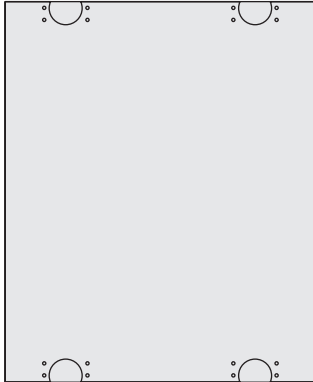
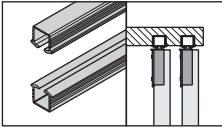
1A



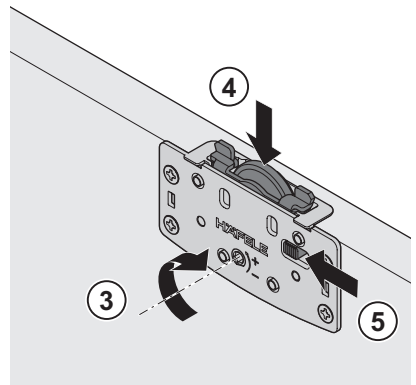
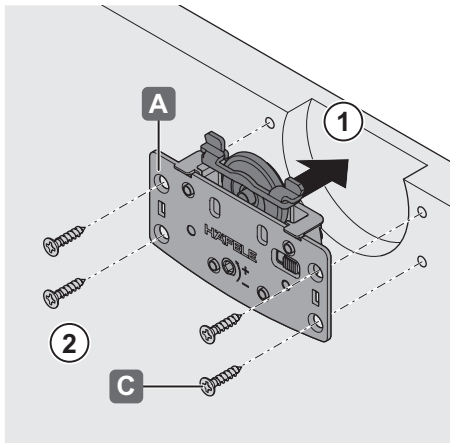
2,5 mm



60 mm



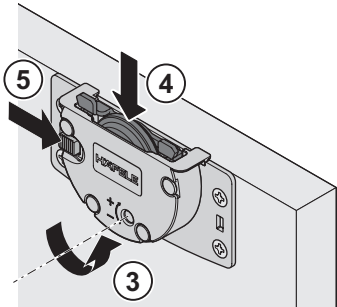
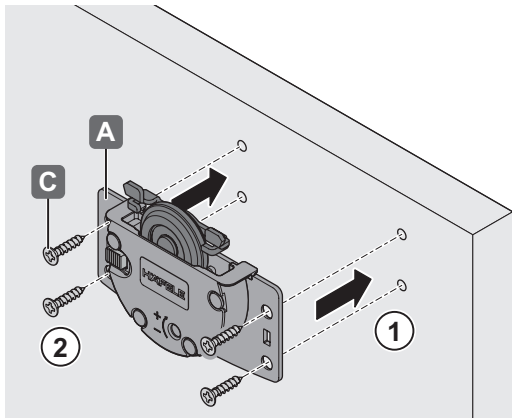
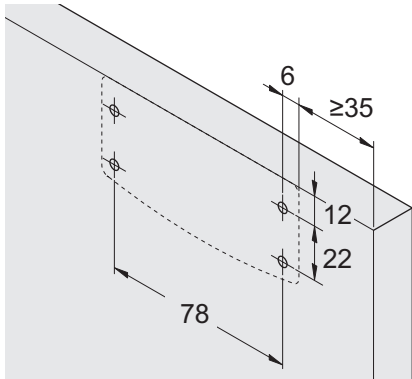
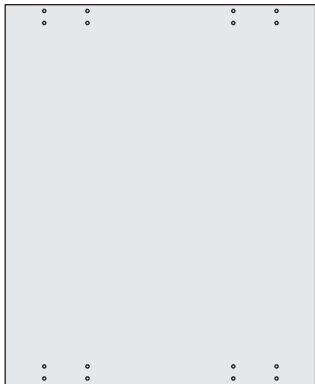
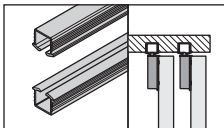
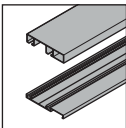
732.24.048



[WS272]

HDE 12.05.2025

1B

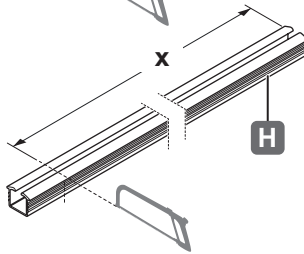
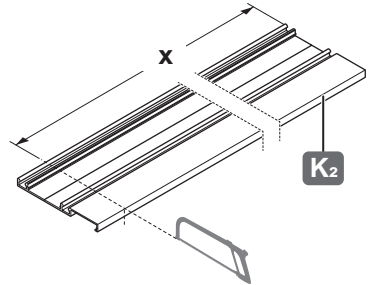
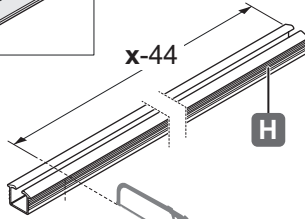
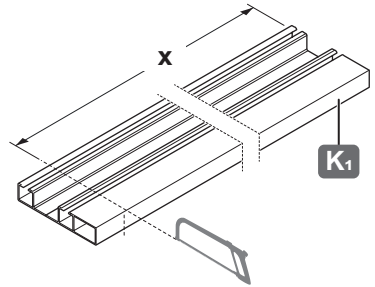
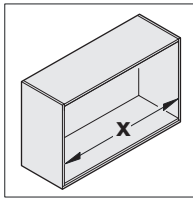


732.24.048

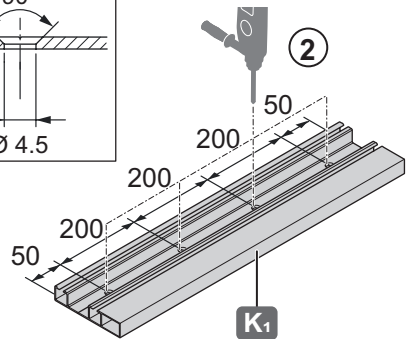
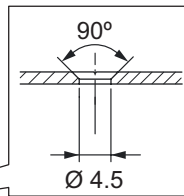
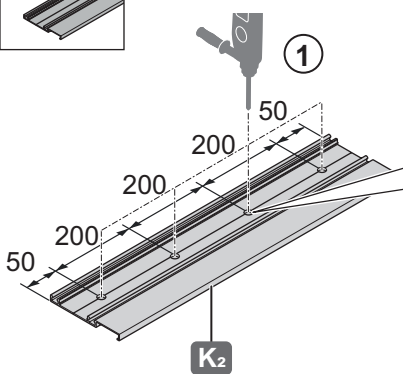
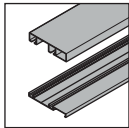
[WS272]

HDE 12.05.2025

2



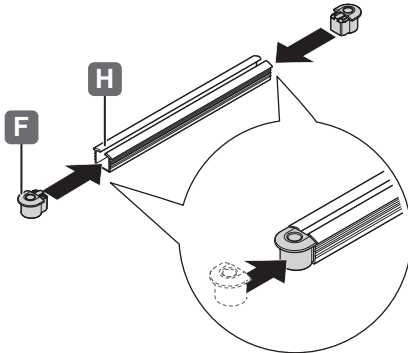
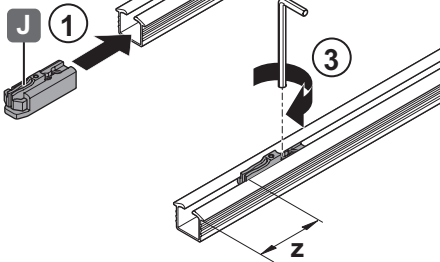
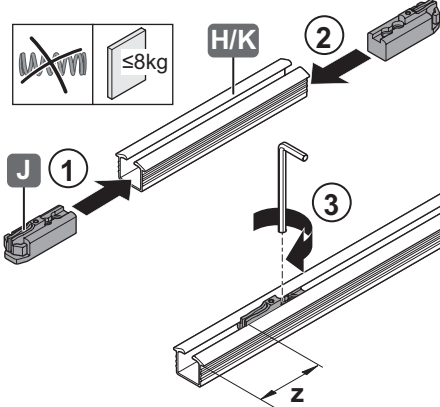
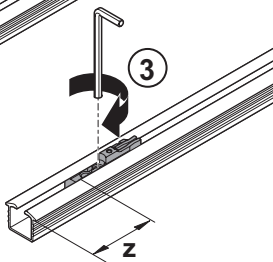
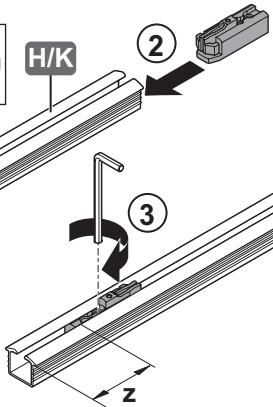
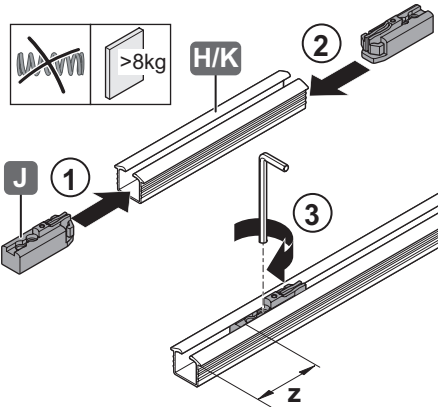
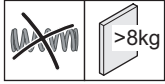
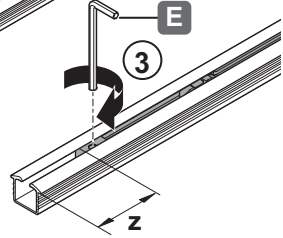
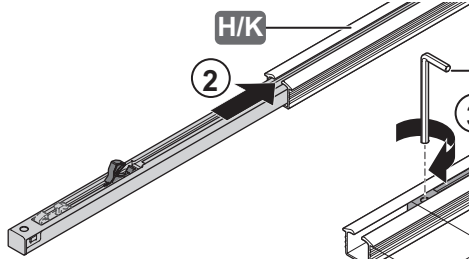
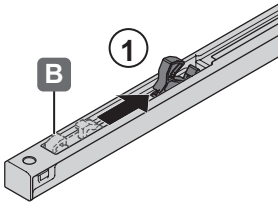
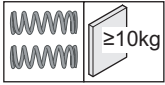
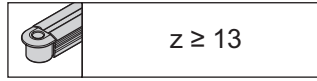
732.24.048



[WS272]

HDE 12.05.2025

3

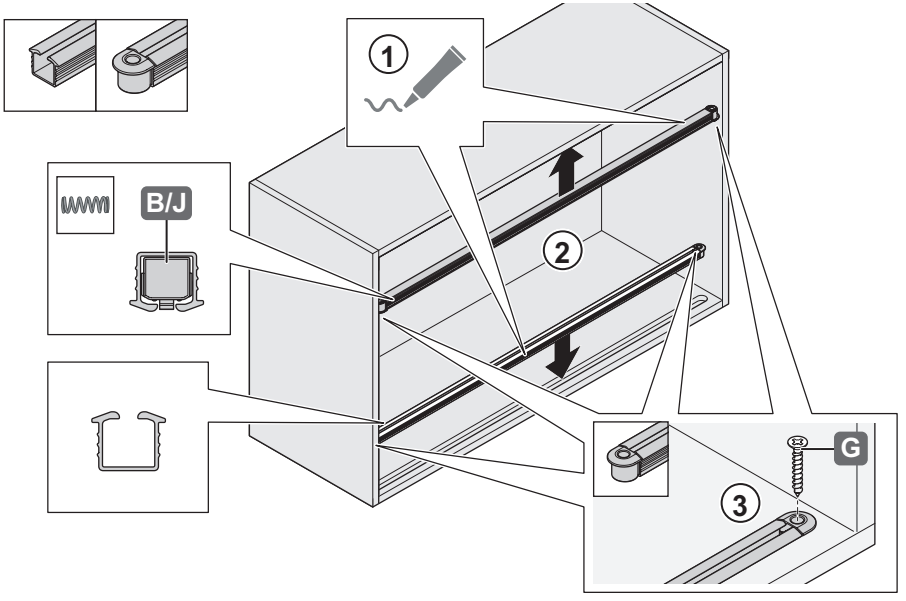


732.24.048

[WS272]

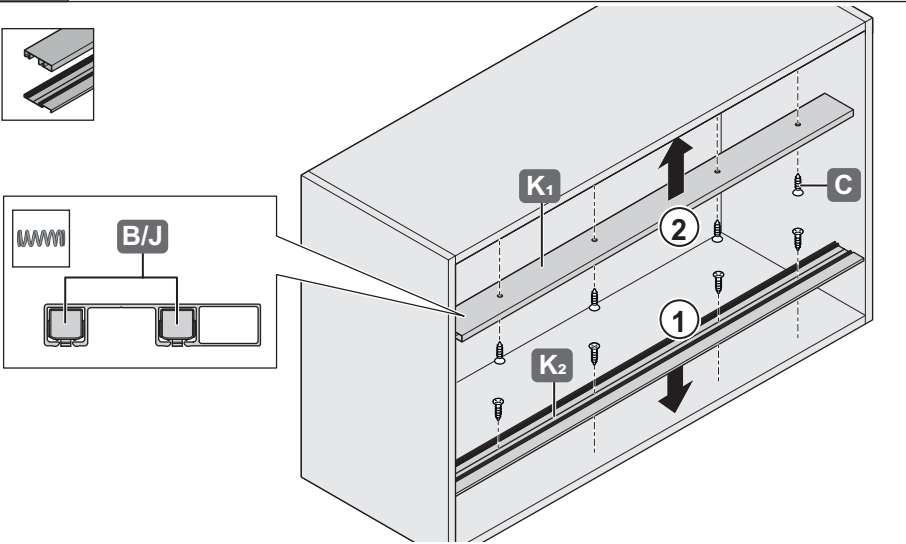
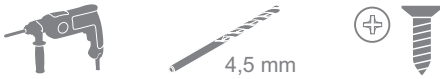
HDE 12.05.2025

4A



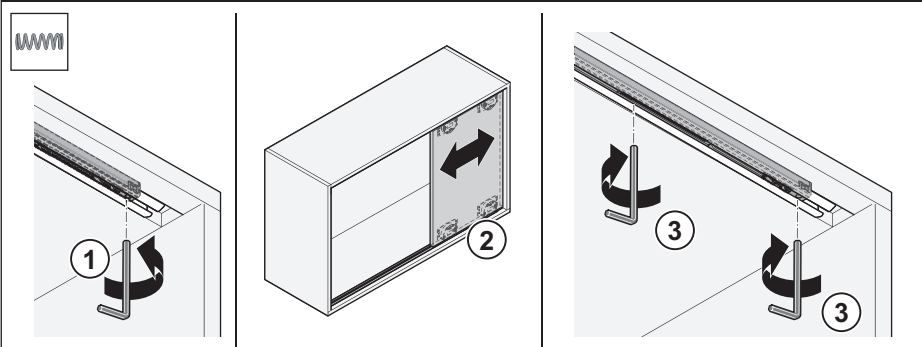
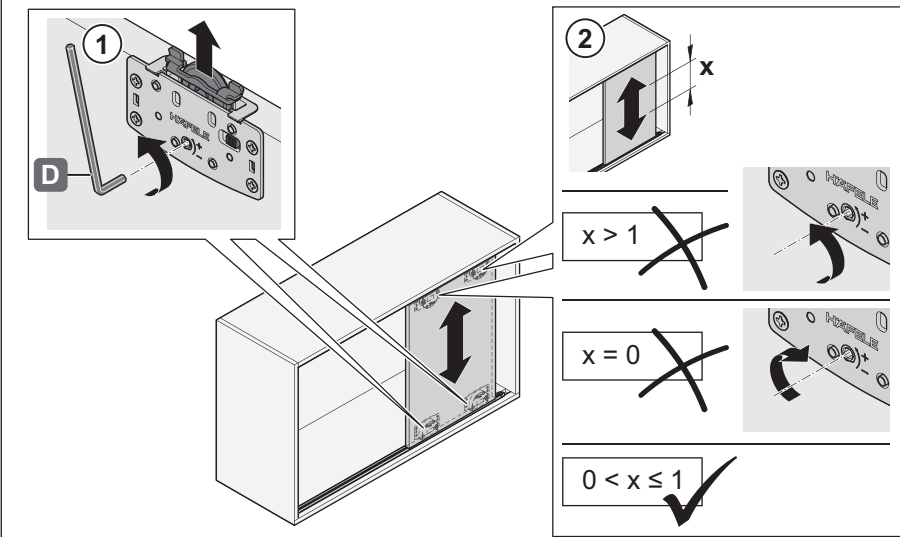
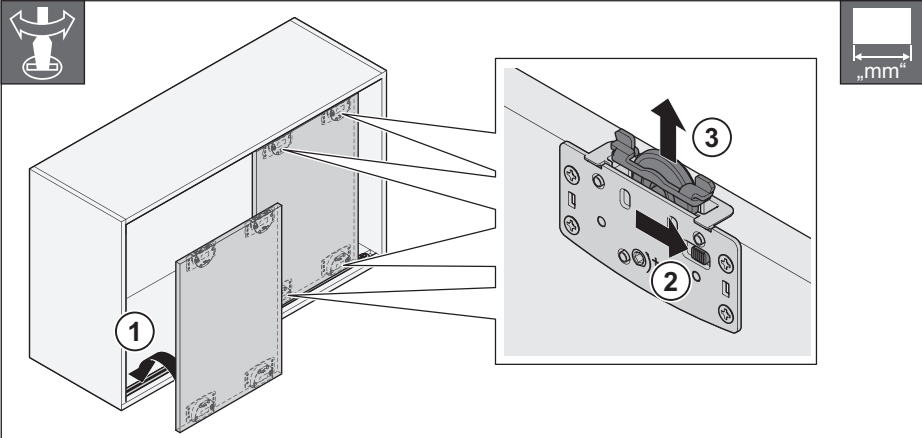
732.24.048

4B



[WS272]

HDE 12.05.2025



732.24.048

HDE 12.05.2025